
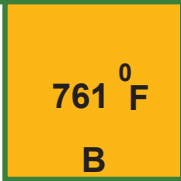


Name: _____ Class: _____

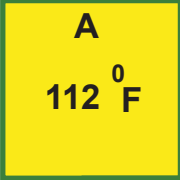
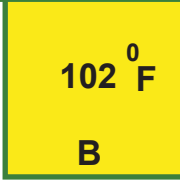
Heat flow across materials

Select the arrows that show the direction of heat flow across the materials below if they were in contact.

1.  


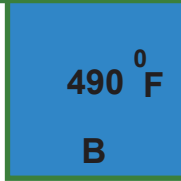
A \rightleftarrows B

B \rightleftarrows A

5.  

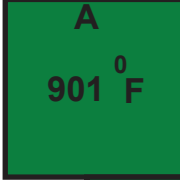
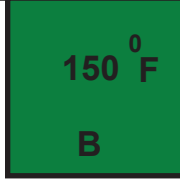
A \rightleftarrows B

B \rightleftarrows A

2.  

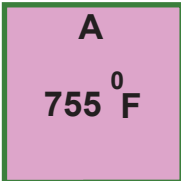
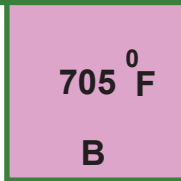
A \rightleftarrows B

B \rightleftarrows A

6.  

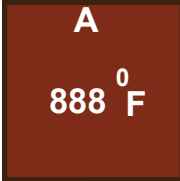
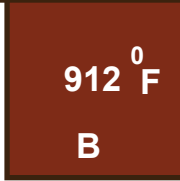
A \rightleftarrows B

B \rightleftarrows A

3.  

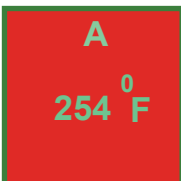
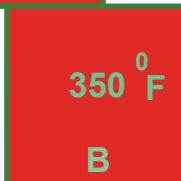
A \rightleftarrows B

B \rightleftarrows A

7.  

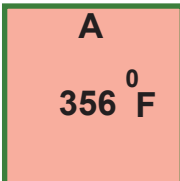
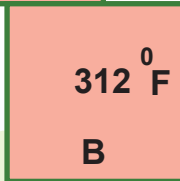
A \rightleftarrows B

B \rightleftarrows A

4.  

A \rightleftarrows B

B \rightleftarrows A

8.  

A \rightleftarrows B

B \rightleftarrows A